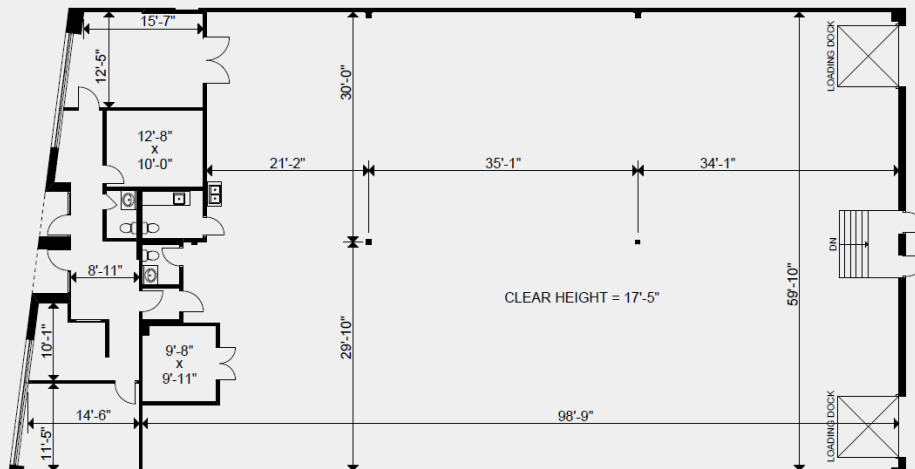


24 Viceroy Road

Unit 8 & 9: 6,892 sq. ft.

UNIT	UNIT 8 & 9
SIZE (SQ. FT.)	6,892
OFFICE	15%
CLEAR HEIGHT	17' 5"
SHIPPING	2 Truck Level
ASKING PRICE	\$23.00 per sq. ft.
TMI	\$5.78 per sq. ft.
POSSESSION	Immediate



Spencer Mussett*
Senior Vice President
416 495 6273
spencer.mussett@cbre.com

Tyrone Murray
Sales Representative
416 495 6243
tyrone.murray@cbre.com

CBRE Limited, Real Estate Brokerage
2005 Sheppard Ave E, Suite 800
Toronto, Ontario, M2J 5B4
+1 416 494 0600 • www.cbre.com

PROUDLY MANAGED BY:



*Sales Representative