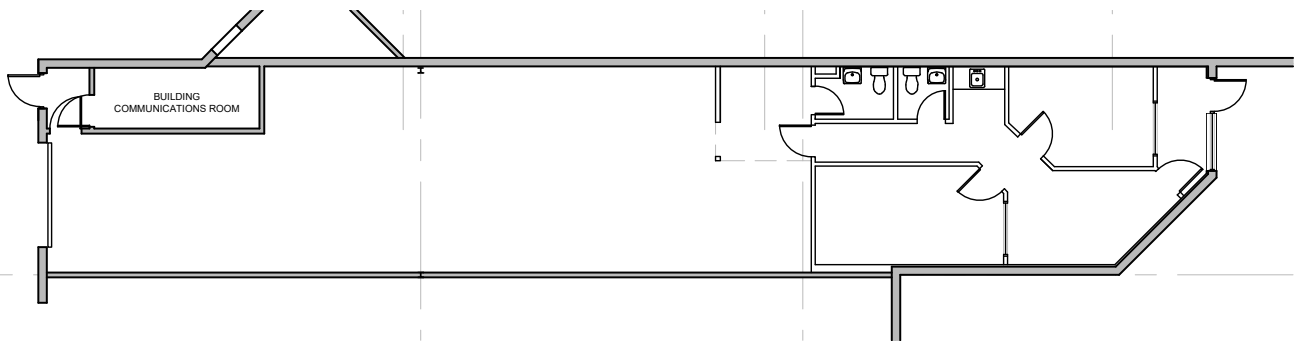


Newbold Business Park

London, Ontario

335 Consortium Ct., Building 11B
2,060 square feet



For more info please contact:

ALLISON WISE*

P 647-800-5616

awise@epicinvestmentservices.com

*Sales Representative